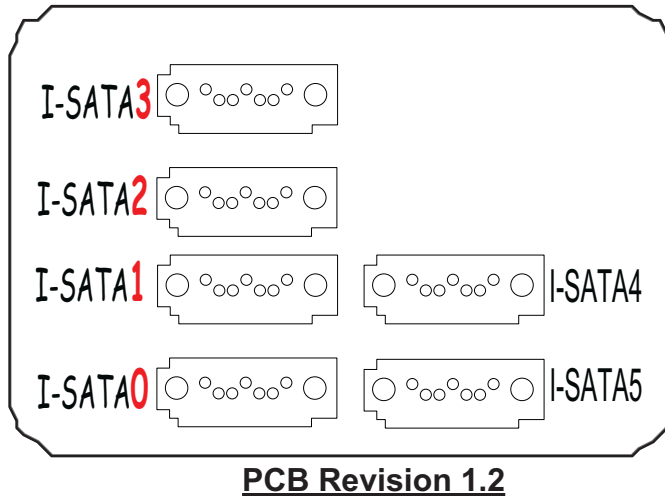


An Important Note to the User

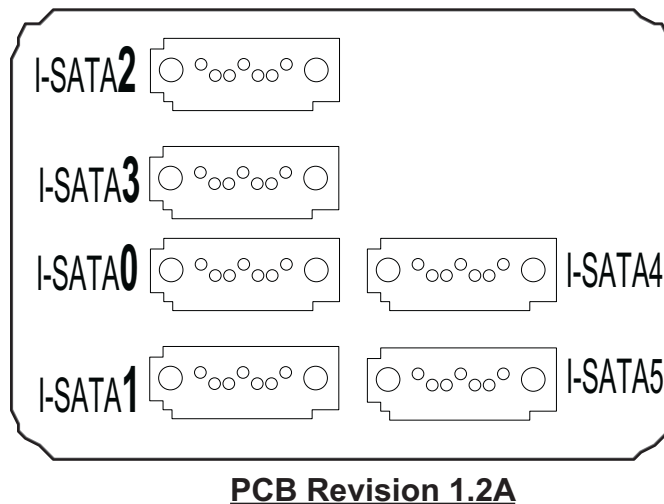
The Silk Screen Label for SATA Ports 0~3

On the C2SBA/C2SBA+/C2SBA+II/C2SBE Revision 1.2 Motherboard

The silk screen label for SATA Ports 0~3 on PCB Rev. 1.2 motherboards is shown below:



The correct silk screen label for these SATA ports should be as follows:



This silk screen label change applies to PCB Revision 1.2 motherboards only and has been corrected in subsequent motherboard revisions.